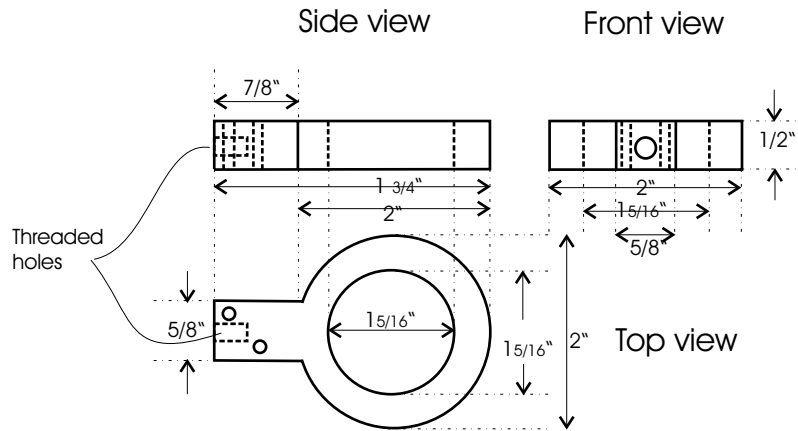
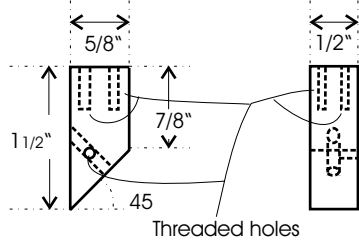


Mirror holder

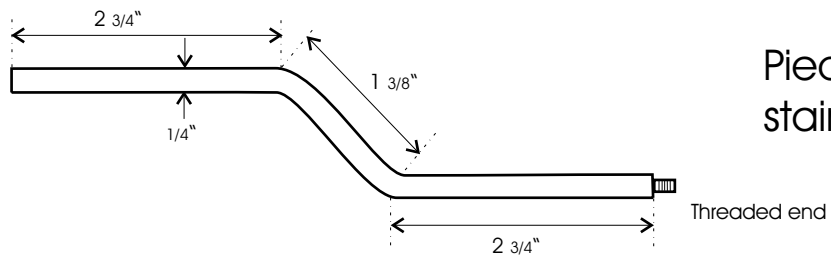
(goes with a mirror type ...)



Piece #1:
Aluminum



Piece #2:
Aluminum



Piece #3:
stainless steel